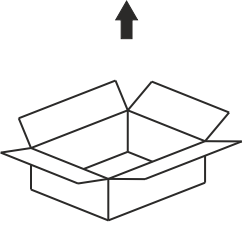
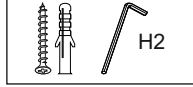


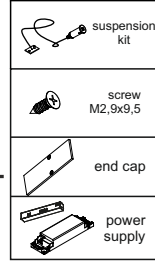
HIGH MULTITRACK up&down suspended system



REQUIRED

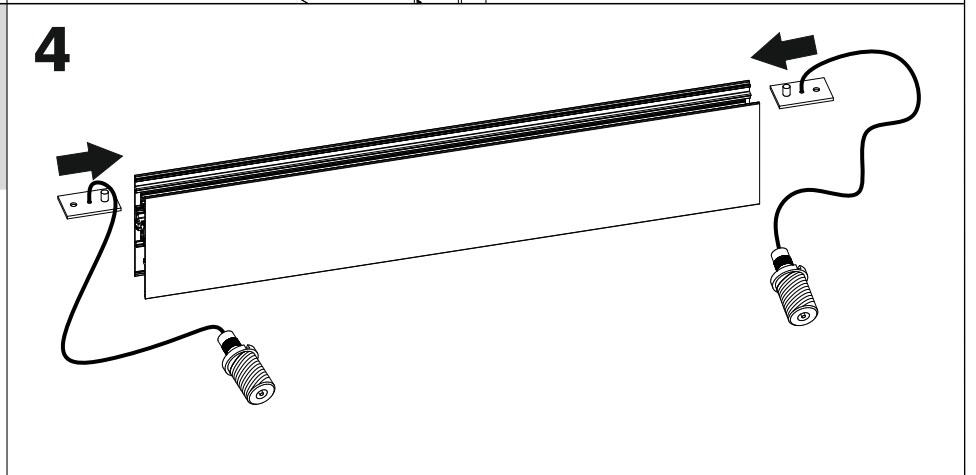
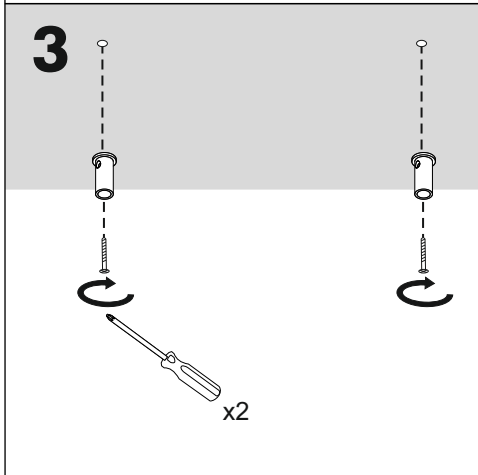
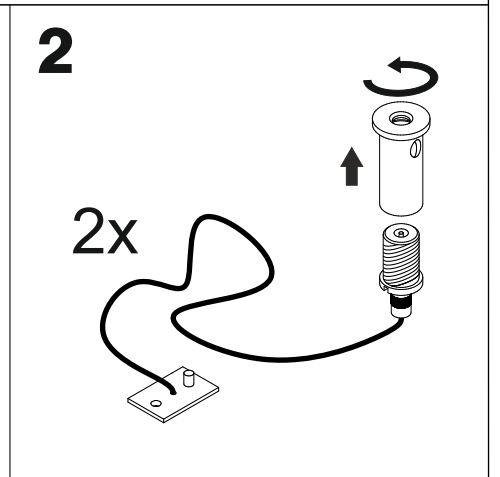
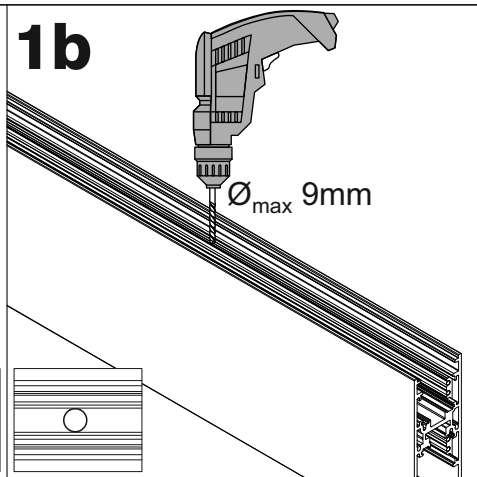
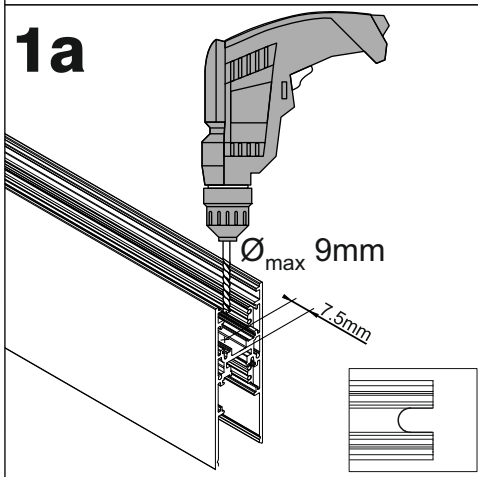
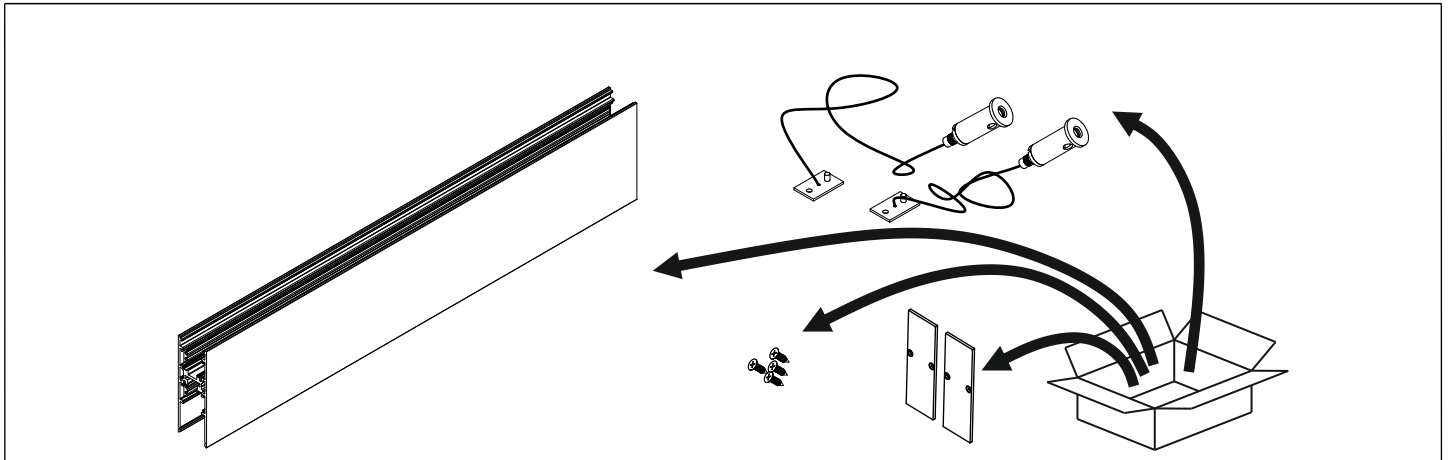
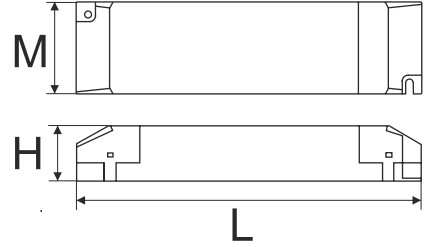


straight multitrack
line requirement

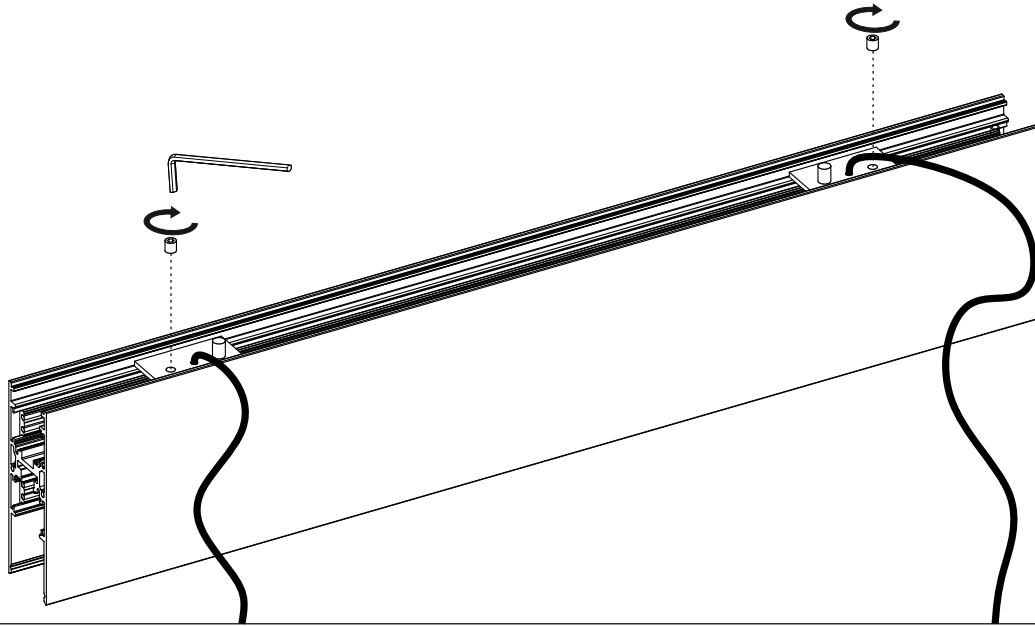


power supply dimensions

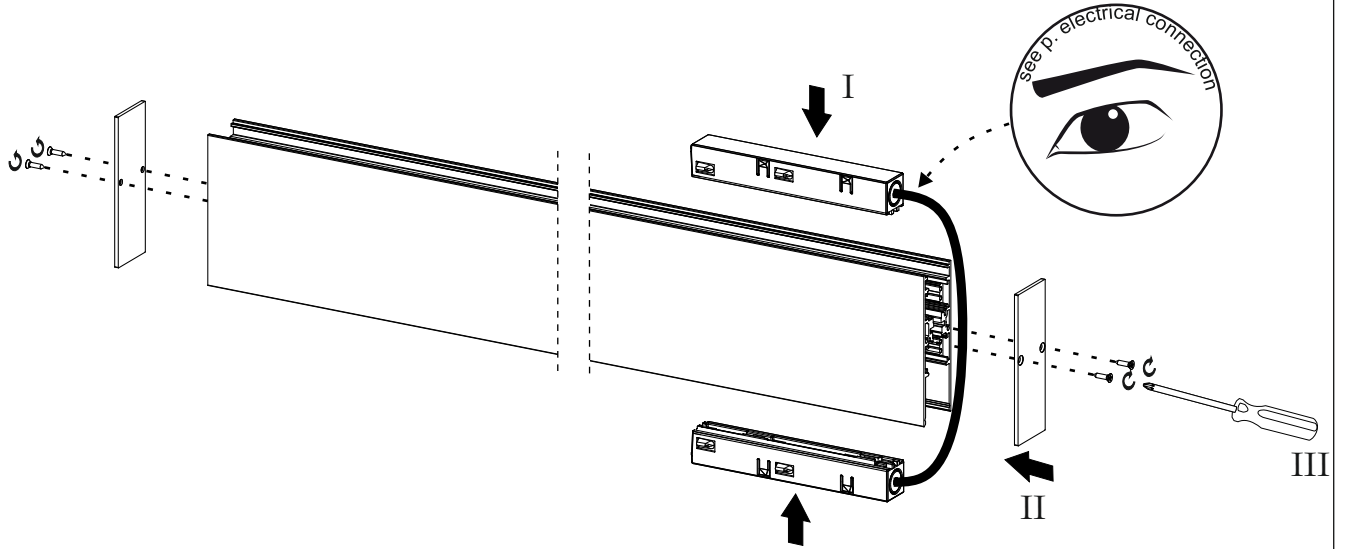
DRIVER	60W	100W	200W
L [mm]	163	300	390
M [mm]	43	30	30
H [mm]	32	17	23



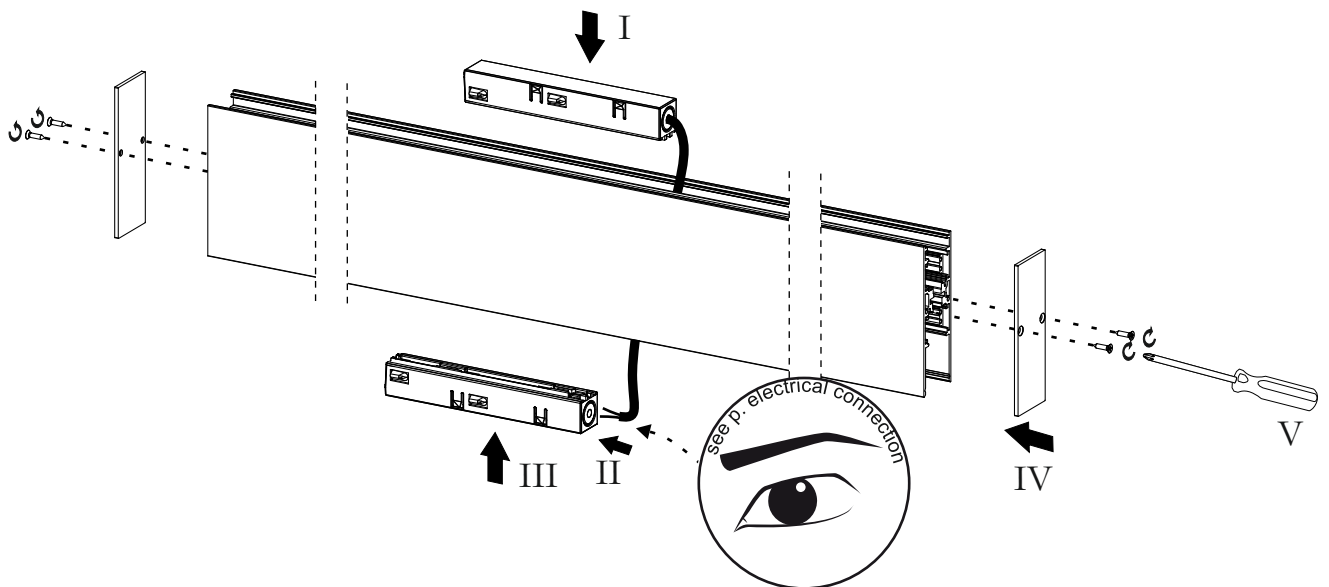
5



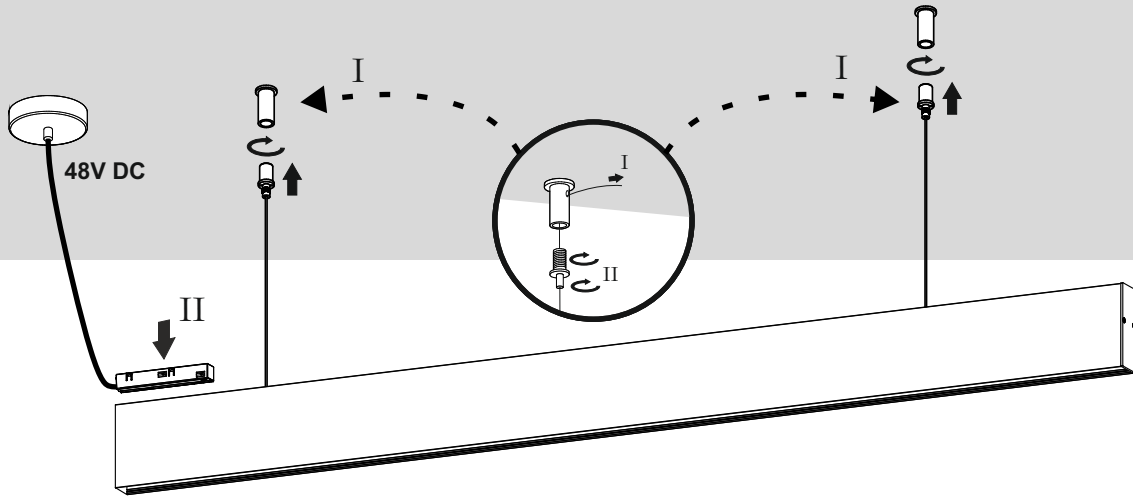
6a



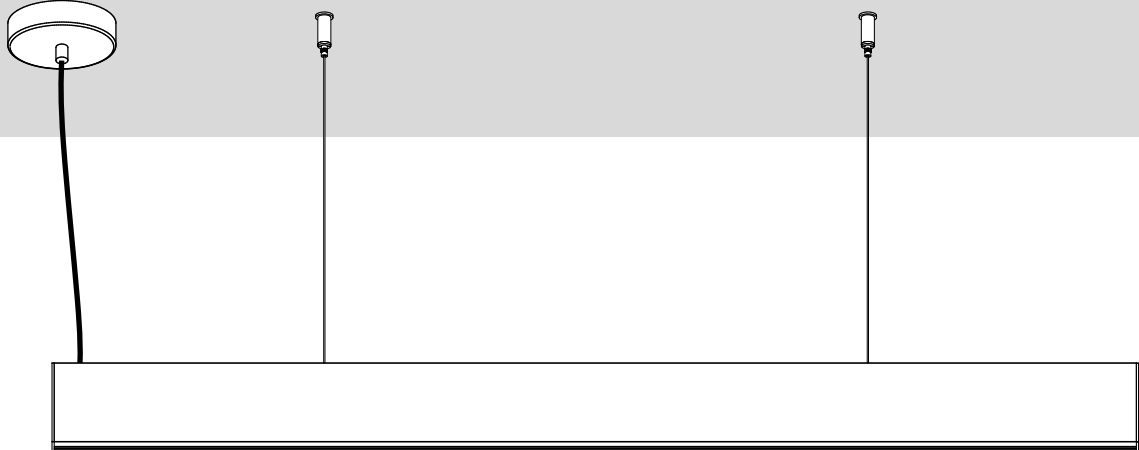
6b



7



8



electrical connection

