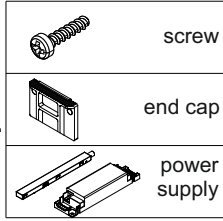


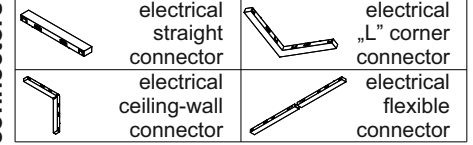
power supply dimensions

DRIVER	60W	100W	200W
L [mm]	163	300	390
M [mm]	43	30	30
H [mm]	32	17	23

straight microtrack  
line requirement



microtrack  
connectors



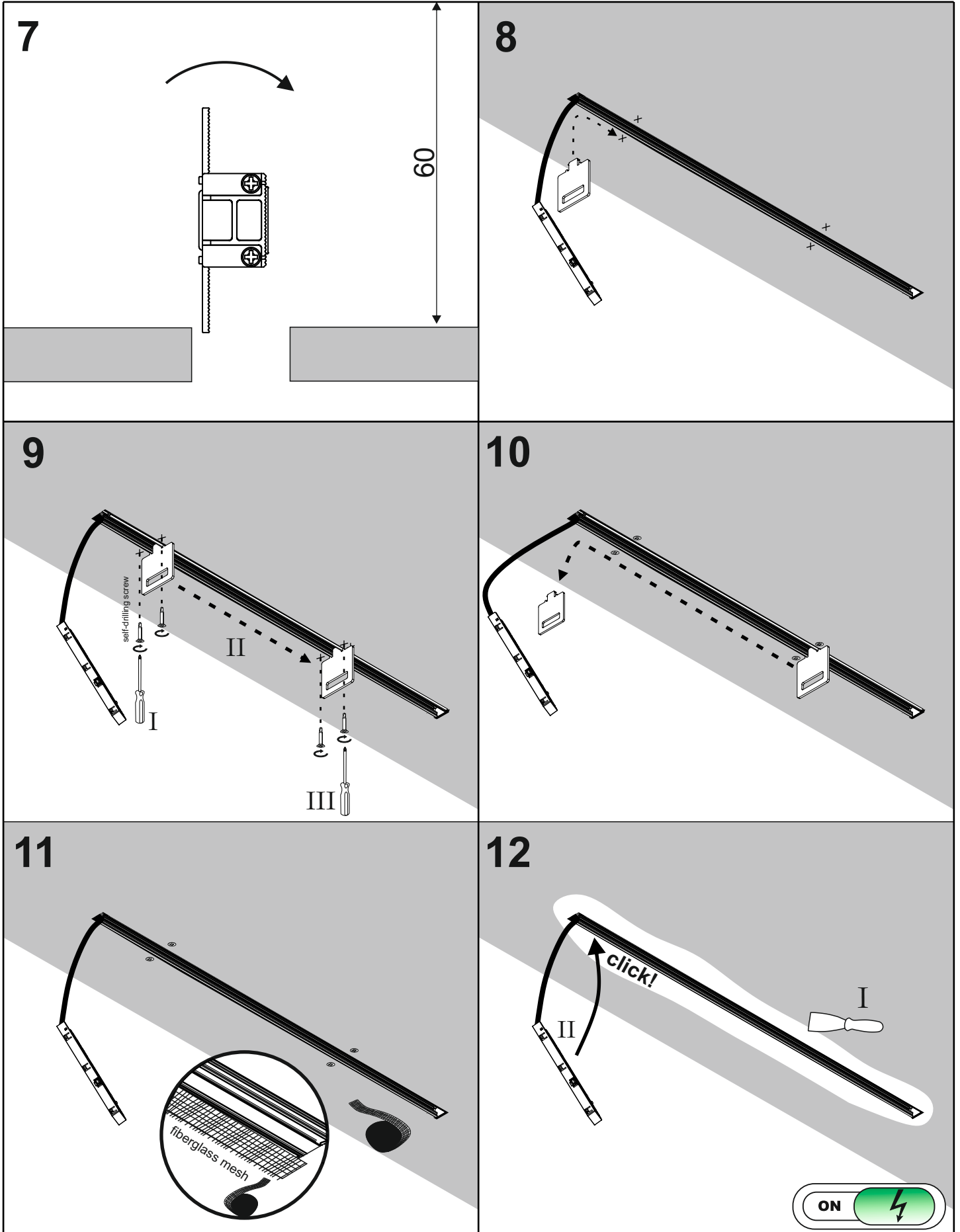
### 1

### 2

### 3

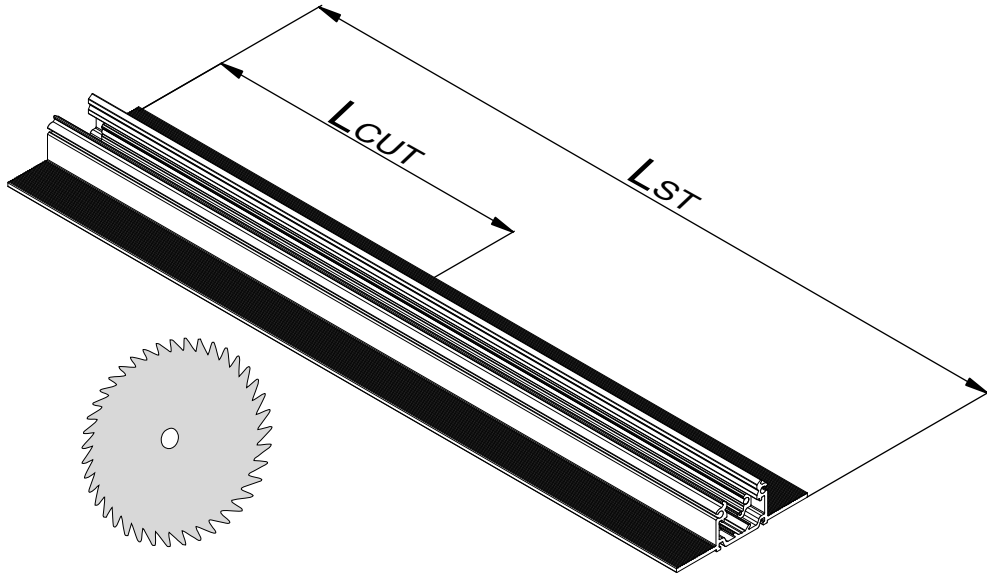
**SOPCU00B**

### 4

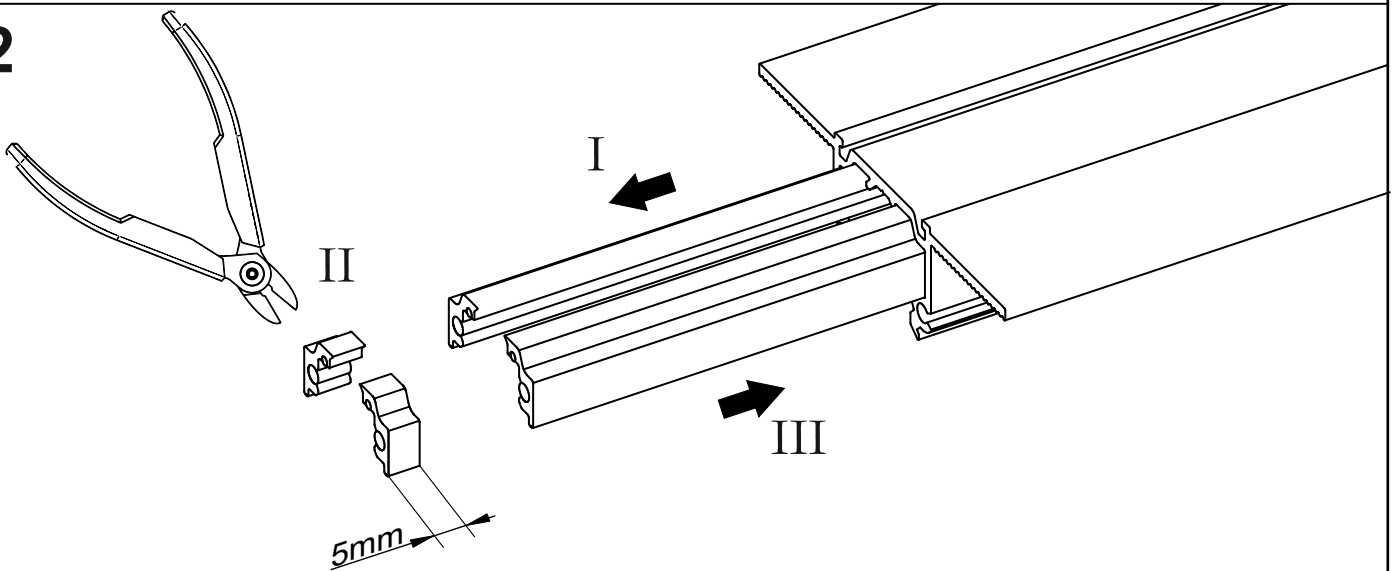


Cutting

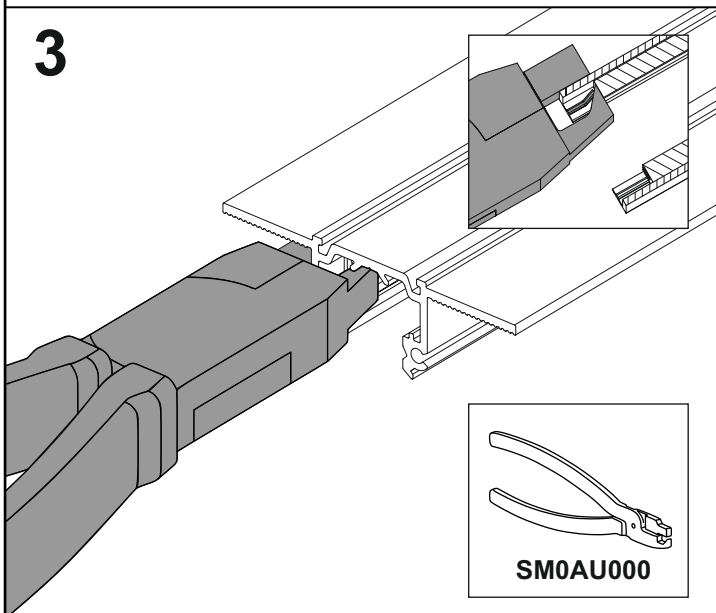
1



2



3



4

