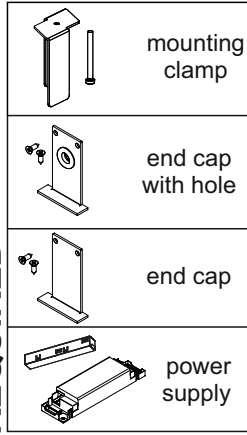
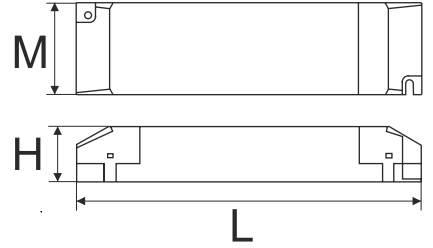


REQUIRED

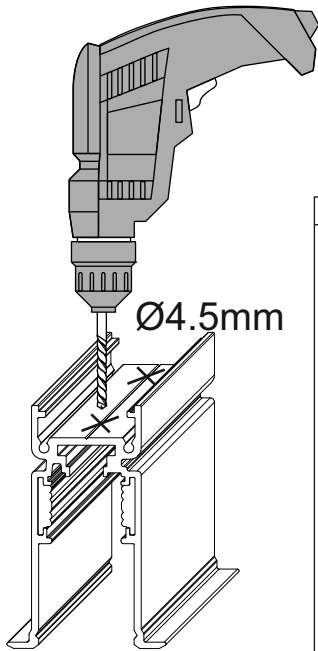


power supply dimensions

DRIVER	60W	100W	200W
L [mm]	163	300	390
M [mm]	43	30	30
H [mm]	32	17	23



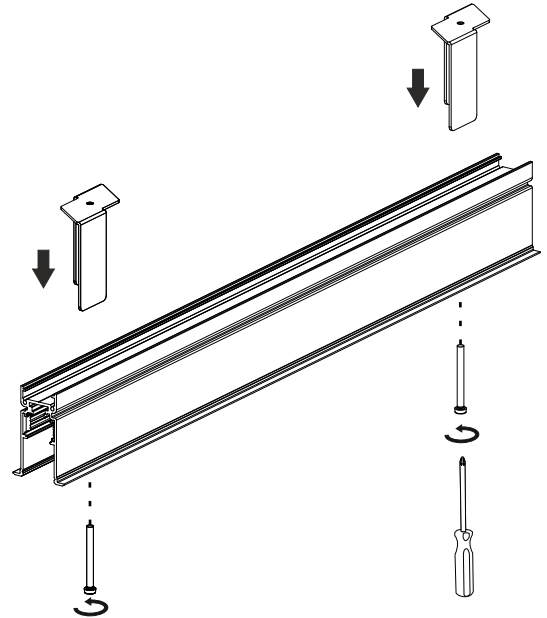
1



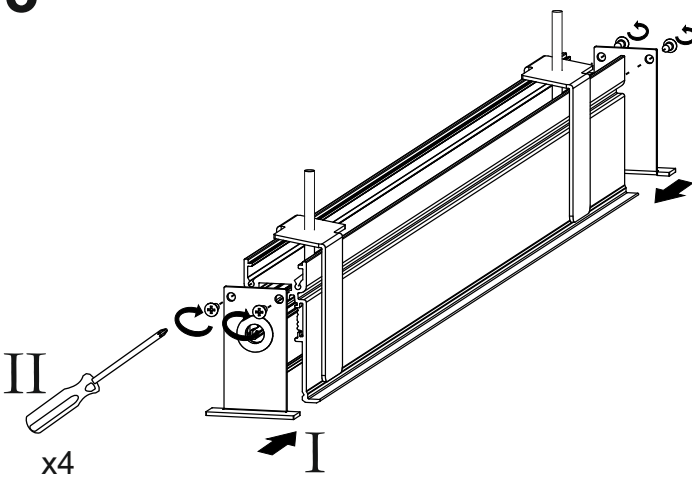
MAX LOAD				
200	600			
↓				
25 Kg				
200	300	300	200	
↓				
36 Kg				
150	250	200	250	150
↓				
48 Kg				

⚠ Check drywall max load

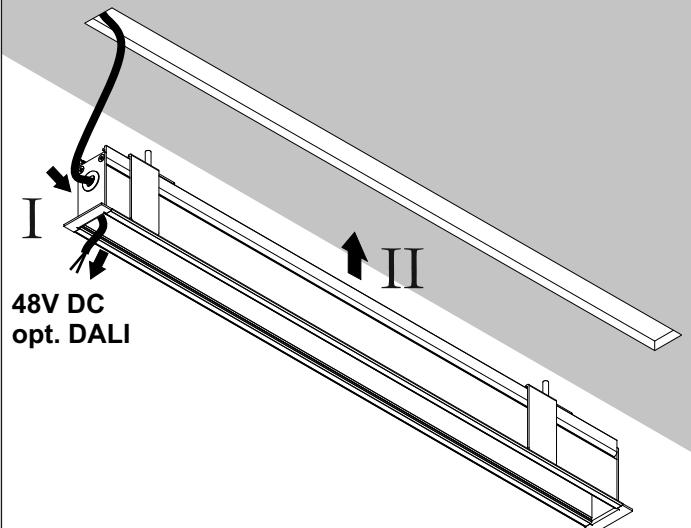
2

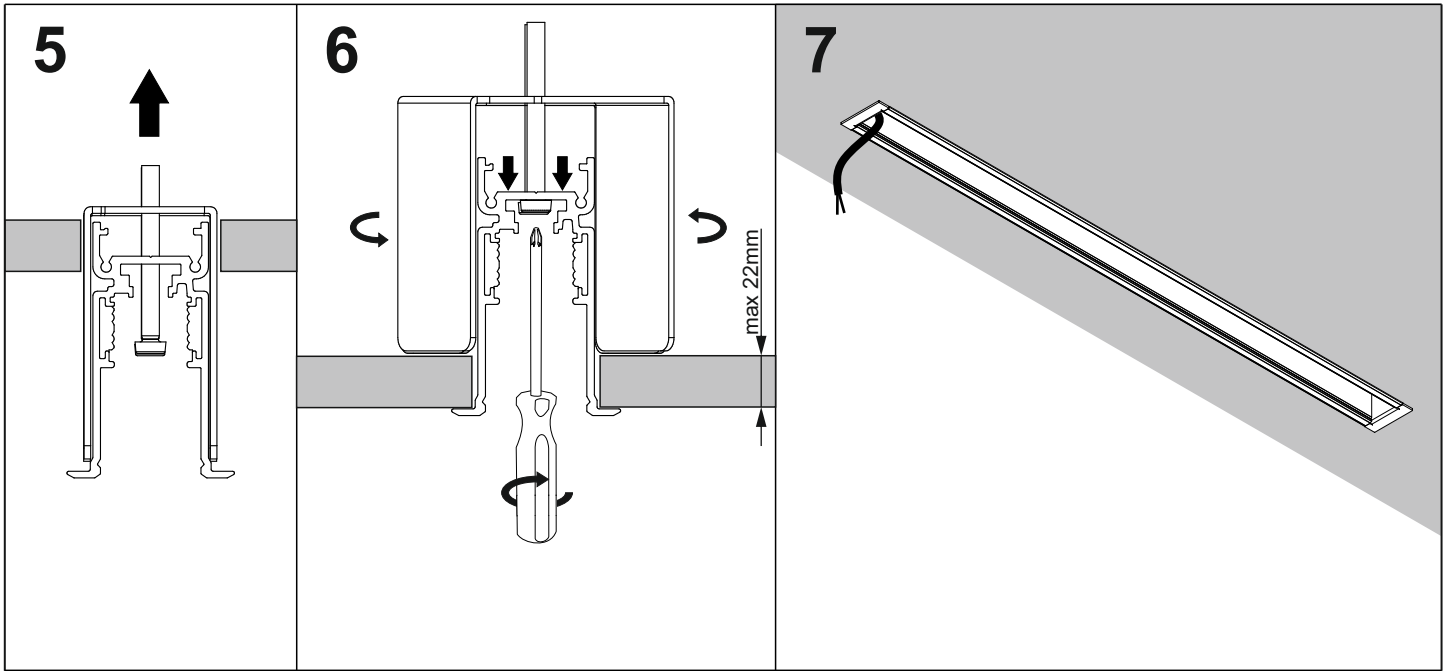


3



4





**electrical connection**

